

## ▶ Brushless - DC motors

**5455-15**

- Size ..... 57.2 x 57.2 x 38.8 mm
- Continuous output power:  
80 W  
(100 mNm, 7600 rpm)
- Steps/rev. .... 30

Dynamic, speed, and accuracy are the keywords of BLDC technology. Used when positioning or speed regulation are critical.

### ▶ Technical data

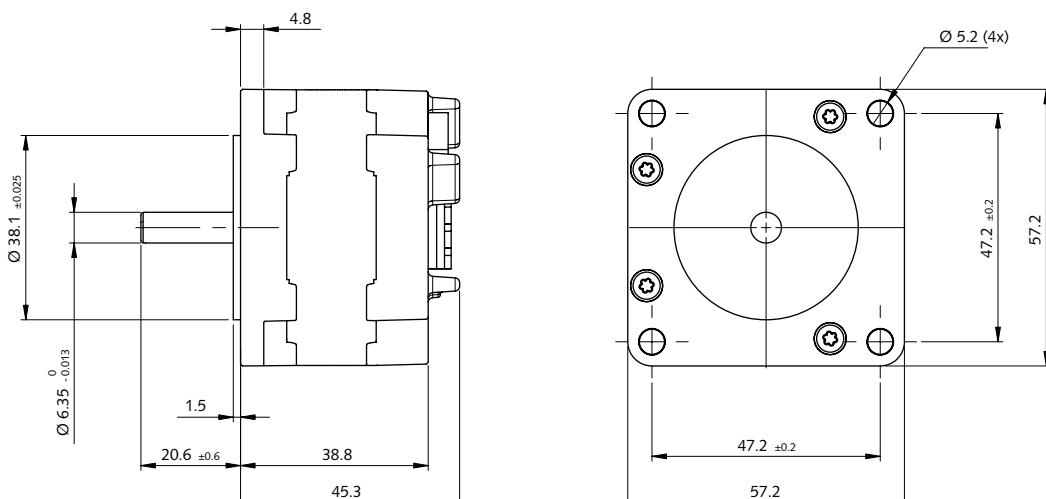
Weight	435 g	Motor constant (min. value)	46.5 mNm/ $\sqrt{W}$	Torque constant (max. value)	36 mNm/A
Phase number	3-Y	Nominal voltage	48 V	Max. continuous current	5.8 A
Continuous stall torque	210 mNm*	No load speed	12 000 rpm	Terminal inductance	0.71 mH
Max. stall torque	420 mNm**	Rotor inertia	126 g.cm <sup>2</sup>	Protection	IP 30
Detent torque	20 mNm	Terminal resistance	0.45 $\Omega$		

\*Continuous values based on 25° C ambient temperature, motor mounted to a 150 x 150 x 10 mm aluminium heat sink.

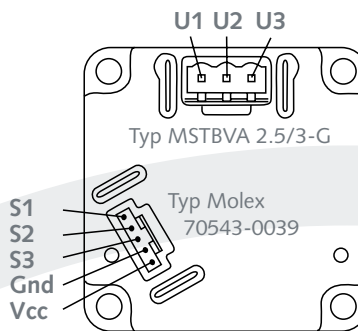
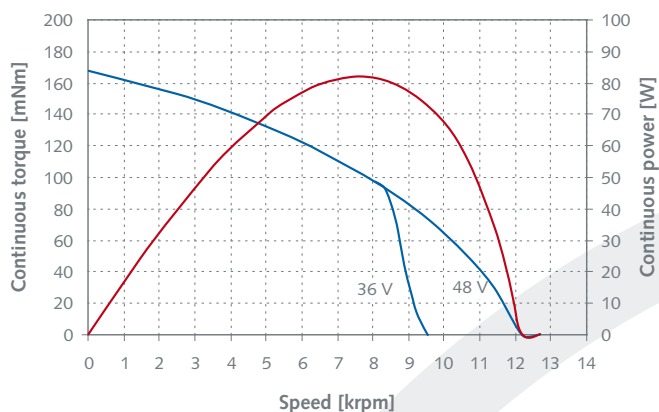
\*\*Max. 10 sec. at 25° C ambient temperature.

### ▶ Dimensions

Drawing not to scale. All dimensions in mm.



► Dynamic characteristics



Counter connector (Windings) .....	MSTB 2.5/3-ST
Counter connector (Hall sensors) .....	50-57-9405
Tin plated contacts .....	16-02-0102

• Star connection

• 2 phases on, Fullstep

• Hall sensors signals

Options

- Motors with adapted windings
- Integrated high resolution position sensor
- Driver and control electronics

Special requirements upon customer specifications. Right to change reserved.

< 1.0 >

SONCEBOZ SA  
 2605 Sonceboz - Switzerland  
 Tel. +41(0) 32 488 11 11  
 Fax +41(0) 32 488 11 00  
 E-mail : info@sonceboz.com  
 Internet : www.sonceboz.com

